



Typical Design



Industrial Solutions Flatpanel Technology

DESIGN FOR TFT COLOR LCD MODULE

Design No.	dah073_104
Revision	Rev. 1.0
Type	10.4" 1024 x 768
Specification	
Version	Internal Revision 1.1
Date	01.10.2012
Preliminary <input checked="" type="checkbox"/>	
Final <input type="checkbox"/>	

This typical design can be used to manufacture dedicated products at i-sft according to the mentioned specification without additional NRE cost.
 Please send us a RFQ for this design and stating the number of displays to be build. We will send a formal quote including a final specification. With your formal order please also send a written approval of the final specification.
 No further activities will start before formal order is processed and written approval of final specification is in!



Typical Design

Liquid Crystal Display Design

I-SFT dah073_104



Revision	Date	Description
1.0	24.05.2011 01.10.2012	First Draft Specification: layout - update Contents updated <ul style="list-style-type: none">• Page 1: Type No. / Rev. No.• Page 4: 1 Description



1	DESCRIPTION.....	4
2	FEATURES.....	4
3	APPLICATIONS.....	5
4	STRUCTURE AND FUNCTIONS.....	5
5	OUTLINE OF CHARACTERISTICS.....	6
6	RESOLUTION.....	7
7	SPECIFICATIONS	8
	7-1 GENERAL SPECIFICATIONS.....	8
	7-2 ABSOLUTE MAXIMUM RATINGS.....	8
	7-3 ELECTRICAL CHARACTERISTICS.....	9
	7-4 OPTICAL CHARACTERISTICS.....	9
	7-5 OUTLINE DIMENSIONS.....	12
	7-6 DEFECT SPECIFICATIONS.....	13
8	RELIABILITY TESTS.....	15
	8-1 ENVIRONMENTAL TESTS	15
	8-2 EMI/EMC TESTS.....	16
9	GENERAL PRECAUTIONS.....	17
	9-1 MOUNTING.....	17
	9-2 HANDLING.....	17
	9-3 STORAGE.....	18
	9-4 OPERATION	18
	9-5 OTHERS	18



1 DESCRIPTION

I-SFT dah073_104 is a custom specific development based module and is not available on the open market.

I-SFT dah073_104 is a TFT (thin film transistor) active matrix color liquid crystal display (LCD) comprising of an amorphous silicon TFT attached to each signal electrode with circuit drivers.

I-SFT dah073_104 is an **i-sft** GmbH in-house design consisting of:

- a. **i-sft** specific third party manufactured LCD-Glass-Matrix (NOT available in retail).
- b. **i-sft** customized backlight emitting a display surface brightness typ. 1000 nits.
- c. **i-sft** custom made integrated e³ driver to control the backlight.

The 10.4 inch diagonal display area contains 1024×768 pixels and can display 256k colors. This custom made model will be delivered with a DVI-I Controller-Card. This unit are separately mounted on the back of the Display. Some special parts are additional saved for shock and vibration.

2 FEATURES

10.4" XGA High-bright

Open frame

Low power consumption

Long life e3-technology system

BLU - Color temperature 9000K

High contrast ratio, high aperture structure

Wide temperature range

High shock and vibration

Interlocking connector

Integrated e³ driver for driving backlight

Added DVI-I interface system



3 APPLICATIONS

Industrial application

POI / POS

4 STRUCTURE AND FUNCTIONS

A TFT color LCD module comprises of a TFT LCD panel and LSIs for driving liquid crystal. The TFT LCD panel is composed of a TFT array glass substrate superimposed on a color filter glass substrate with liquid crystal filled in the narrow gap between two substrates.

RGB (Red, Green, Blue) data signals are sent to LCD panel drivers after modulation into suitable forms for active matrix addressing through a signal processor.

Each of the liquid crystal cells acts as an electro-optical switch that controls the incident light transmission by a signal applied to a signal electrode through the TFT switch.

The user interface is usual DVI-I (VGA and Digital Video Interface). The i-sft converter card is designed to convert the input signals to high quality digital flat panel output signals. The integrated auto-sampling feature scale the input signals automatically to the flat panel resolution, in this case to 1024*768 pixel. The sophisticated auto-tracking and auto-phasing logic adjust the input picture automatically to the flat panel resolution and timing, no manual picture positioning adjustment is necessary.



Typical Design



5 OUTLINE OF CHARACTERISTICS

ITEM	SPECIFICATION	UNIT	NOTE
Active display area	210.432 (H) x 157.824 (V) (10.4 inch diagonal)	mm	
Driver element	a – Si TFT active matrix		
Display colours	256k		
Number of pixels	1024 x 768	pixel	
Luminance (typ.)	1000	cd/m ²	
Dimming ratio	1 : 1000		
Pixel arrangement	RGB vertical stripe		
Pixel pitch	0.2055 (H) x 0.2055 (W)	mm	
Display mode	Normally Black		
Surface treatment	Haze 25, Anti-glare & hard-coating (3H)		



6 RESOLUTION

Resolution	Hz	
640 x 480	60	
640 x 480	67	
640 x 480	72	
640 x 480	75	
720 x 400	70	
720 x 400	88	
800 x 600	56	
800 x 600	60	
800 x 600	72	
800 x 600	75	
1024 x 768	60	phys. resolution
1024 x 768	70	phys. resolution
1024 x 768	75	phys. resolution
1024 x 768	75	phys. resolution

The integrated DVI-I controller has a DDC module for the recognition of the automatic Plug and Play function.

For other resolutions the display has auto-scaling.



7 SPECIFICATIONS

7-1 GENERAL SPECIFICATIONS

ITEM		TYP.	UNIT
Module size	Horizontal (H)	251.5	mm
	Vertical (V)	177.6	mm
	Depth (D)	47	mm
Weight		1540	g

7-1-1 Connector

Type	Item	Pin assignment
X1 DVI-I connector	Standard DVI-I	DDWG Rev. 1.0
X2 Molex 39-29-1027	Power connector	Pin X2.1 = GND Pin X2.3 = Vin

7-2 ABSOLUTE MAXIMUM RATINGS

ITEM	SYMBOL	MIN.	MAX.	UNIT	NOTE
Storage temperature	T_{nop}	-25	75	°C	(1)
Operating temperature	T_{op}	-10	60	°C	(1)
Shock (operating)	S_{op}	-	35	g	(2)
Vibration (operating)	V_{op}	-	3	g	(3)

Note

(1) measured at center of display area (front side); no condensation

(2) 6 ms.

(3) 10 – 2000 Hz



Typical Design

Liquid Crystal Display Design

I-SFT dah073_104



7-3 ELECTRICAL CHARACTERISTICS

(1) Backlight, Logic

Ta = 25°C

Parameter	Symbol	Min.	Typ.	Max.	Unit	Remarks
Supply voltage	V _{inv}	10.8	12	13.2	V	
Power consumption	P _{inv}	-	< 24	-	W	V _{inv} = 12V

7-4 OPTICAL CHARACTERISTICS

Measuring equipment:

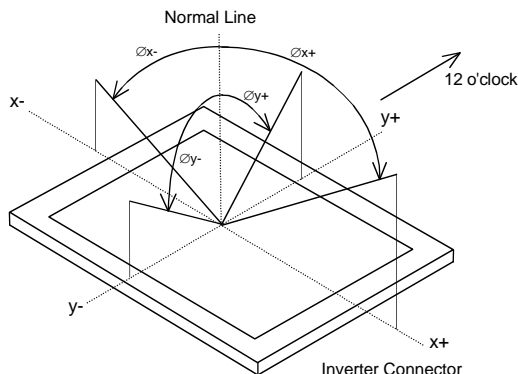
Luminance: TOPCON BM-7

Viewing Angle, Contrast: ELDIM EZContrast 160D

Ta = 25°C ± 5°C

Parameter		Symbol	Condition	Min.	Typ.	Max.	Unit	Remark
Viewing angle range	Horizontal	∅x+	CR>10, ∅y = ±0°	-	80	-	deg.	note 1
		∅x-	CR>10, ∅y = ±0°	-	80	-	deg.	note 1
	Vertical	∅y+	CR>10, ∅x = ±0°	-	80	-	deg.	note 1
		∅y-	CR>10, ∅x = ±0°	-	80	-	deg.	note 1
Contrast ratio		CR	∅y=0°, ∅x=±0°	-	650:1	-	-	note 2
Response time		T _{total}	T _R + T _F	-	-	28	ms	note 3
Luminance (centre of screen)		L _w	at center v(abs) at center v(λ)	950	1200 1000		cd/m ²	note 4
Dimming range		DR			1000:1			

Note 1: Definitions of viewing angle are as follows. (Matrix facing up, connector on the right side)



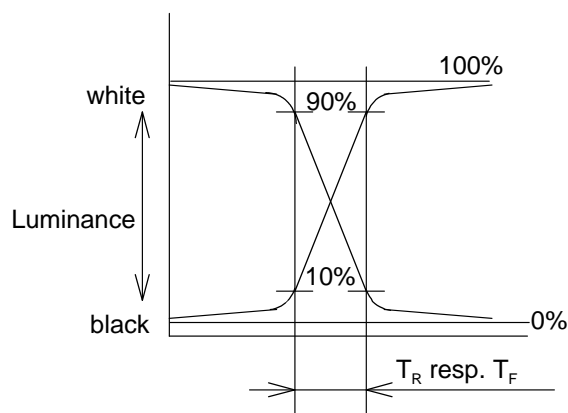
Note 2: The contrast ratio is calculated by using the following formula:

$$\text{Contrast ratio} = \frac{\text{Brightness (Luminance) with all pixels in "White"}}{\text{Brightness (Luminance) with all pixels in "Black"}}$$

The brightness is measured in a darkroom.

Note 3: Definition of response time is as follows.

Photo detector output signal is measured when the brightness changes "white" to "black". Response time is the time between 10% and 90% of the photo detector output amplitude.

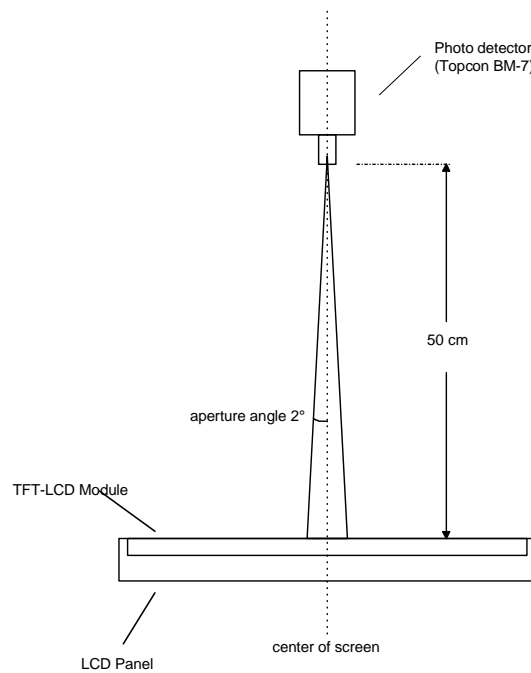


Note 4: Brightness measurements setup.

Measurement should be executed in a dark room 30 minutes
after lighting the backlight. Matrix: on state.

The brightness is measured at the centre of the screen surface.

Environmental conditions: Temperature should be 25 ± 2 °C. Ensure there is sufficient
heat flow / air circulation is given



7-6 DEFECT SPECIFICATIONS

a) Inspection conditions

Distance : the distance between the inspector's eye and the LCD panel is 20cm.

Illumination : the distance between a 20-W fluorescent lamp and the LCD panel is 25-30 cm.

Temperature : Room temperature is 25C°±5C°.

Viewing angle:

Display specifications : $-20^\circ \leq \theta_x \leq +20^\circ$, $0^\circ \leq \theta_y \leq +20^\circ$

Appearance specifications: $-45^\circ \leq \theta_x \leq +45^\circ$, $-45^\circ \leq \theta_y \leq +45^\circ$

Measuring light conditions: Lamp: Cold Cathode Fluorescent Lamp

Chromaticity coordinates (x = 0.320, y = 0.325) typ.

Luminance of backlight surface for inspection: 1200 cd/m²

b) Display specifications

Item	Specifications			
Line defect	Not allowed			
Luminous dots *1	Color	Brightness	Distance between same color dots	Quantity
	Red, Green	F + H	-	R + G ≤ 6
		F	-	R ≤ 6, G ≤ 3
	Blue	F + H	-	≤ 6
		F	-	≤ 6
	Red, Green, Blue	F	≤ 6.5 mm *4	R, G, B ≤ 0
Linked two or *3 more dots			R, G, B ≤ 0	
Dark dots *2	Color	Distance between dark dots		Quantity
	Black	-		R + G + B ≤ 16 R, G, B ≤ 7
		Linked two dots *3	≤ 1 pair	
		Linked three or more dots *3	≤ 0	
		≤ 6.5 mm *4	≤ 0	

*1 F: Full luminous dots (Bright point independent of viewing angle)

H: Half luminous dots (Bright point dependent on viewing angle)

Luminous dots are measured while the screen is black.

*2 Dark dots are measured while the screen is illuminated with Red, Green, or Blue.

*3 Linkage means linked two or more dots.

■ (Luminous or Dark dot)

To be counted



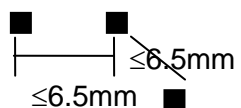
To be uncounnted



*4 ≤ 6.5 mm is considered with:

■ (:Luminous or Dark dot)

Typical Design



	To be counted	To be uncounted
Luminous dots	Same color	Different color
Dark dots	Same screen	Different screen

*5 The dot-amounts of linkage and <6.5 mm are counted when the dots are only full luminous.

c) Appearance specifications

Item	Specifications		Quantity
	Measurement criteria		
Other objects Stains Dust (dot shape)	Average diameter(\varnothing) mm		Allowed value
	$\varnothing \leq 0.2$		all allowed
	$0.2 < \varnothing < 0.3$		≤ 10 points
	$0.3 < \varnothing \leq 0.5$		≤ 3 points
	$0.5 < \varnothing$		0 point
Other objects Stains Dust (line shape)	Linked other objects		
	Width(W) mm	Length(L) mm	all allowed
	$W \leq 0.05$	-	
	$0.05 \leq W \leq 0.1$	$L < 0.7$	≤ 4 points
		$0.7 \leq L \leq 1.0$	0 point
$0.1 < W$	-		
Polarizer Bubbles	Average diameter(\varnothing) mm		
Wrinkles Dent	$\varnothing \leq 0.5$		< 2 points
Panel dent	$\varnothing \leq 0.5$		< 2 points
Polarizer scratch	Remarkable scratches		0 point
Form	Specified labels and parts are put		

The relevant data for the values above are only valid under conditions described at 7-7 "a".



Typical Design



8 RELIABILITY TESTS

8-1 ENVIRONMENTAL TESTS

Test item	Condition	Judgment
High temperature (operating)	60 ± 2°C, 3 days	No display malfunctions
High temperature (non operating)	75 ± 2°C, 7 days	
Low temperature (operating)	-10 ± 2°C, 24 hours	
Low temperature (non operating)	-25 ± 2°C, 24 hours	
Vibration (operating)	3g, 10 – 2000 Hz ±X, ±Y, ±Z directions	
Mechanical shock (operating)	35g , 6ms ±X, ±Y, ±Z directions	
Altitude (operating)	10.000ft, 20 min	
Altitude (non operating)	40.000ft, 1 hour	

**8-2 EMI/EMC TESTS**

Test item	Test Method	Test Result	EUT Meets Criteria
Emissions Test (operating)	EN 55022:2006 Class A	No significant level of emission found in the frequency range of 30MHz through 1000MHz.	Yes
	EN 61000-3-2:2006	All even and odd harmonics current emissions were within stipulated limits.	Yes
	EN 61000-3-3:2005	The test results did not exceed the limits specified in the test criteria.	Yes
Immunity Test (operating)	IEC 61000-4-2:2001 (ESD)	Observation during and review after test showed no effect of the ESD test on the EUT.	A*
	IEC 6100-4-3:2006 (immunity to RF field)	The EUT continued to function normally during and after test.	A*
	IEC 61000-4-4:2004 (EFT)	Observation during and review after test showed no effect of the above tests on the EUT.	A*
	IEC 61000-4-5:2006 (voltage Surge)	The EUT continued to function normally in spite of the presence of surge currents on the input power of the host device of the EUT.	A*
	IEC 6100-4-6:2006 (Conducted Immunity)	The EUT continued to function normally in spite of the presence of conducted RF on the cables of the EUT.	A*
	IEC 61000-4-8:2001 (Magnetic Field Immunity)	The EUT continued to function normally in spite of being subjected to magnetic interference.	A*
	IEC 61000-4-11:2004 (Voltage Dips)	The EUT continued to function normally during and after test.	A*
	IEC 61000-4-11:2004 (Brownouts)	The EUT continued to function normally during and after test.	A*

*No Degradation of Function



9 GENERAL PRECAUTIONS

9-1 MOUNTING

- (a) The module should be attached firmly to the system using every mounting hole. Be careful not to twist and bend the modules during mounting and operation.
- (b) To avoid the local build-up of heat, there must be a sufficient heat flow / air circulation on the rear side of the display. We recommend a minimum gap of 6 to 15 mm between the rear side of the display module and the application - depending on display size and orientation of mounting. As higher the display as wider the gap.
- (c) The length of fixation screws for the housing must not exceed 4 mm on the top, the bottom and on the sides. Length of fixation screws on the back plate must not exceed 6 mm
- (d) Refrain from strong mechanical shock and / or any force to the module, this may cause improper operation or damage to the module and e³ backlight.

9-2 HANDLING

- (a) Note that polarizer's are very fragile and could be easily damaged. Do not press or scratch the surface harder than a HB pencil lead.
- (b) Wipe off water droplets or oil immediately. If you leave the droplets for a long time, staining and discoloration may occur.
- (c) If the surface of the polarizer is dirty, clean it using some absorbent cotton or soft cloth.
- (d) The desirable cleaners are water, IPA (Isopropyl Alcohol) or Hexane. Do not use Ketone type materials (ex. Acetone), Ethyl alcohol, Toluene, Ethyl acid or Methyl chloride. It might produce a permanent damage to the polarizer due to chemical reaction.
- (e) If the liquid crystal material leaks from the panel (i.e. when broken), it should be kept away from the eyes or mouth. In case of contact with hands, legs or clothes, it must be washed away thoroughly with soap.
- (f) Protect the module from static electricity, it may cause damage to the C-MOS Gate Array IC's.
- (g) Use finger-stalls with soft gloves in order to keep display clean during the incoming inspection and assembly process.
- (h) Do not disassemble the module.
- (i) Pins of I/F connector must not be touched directly with bare hands.



9-3 STORAGE

- (a) The module shall be stored in a dark place. It is prohibited to apply sunlight or fluorescent light during the store.

9-4 OPERATION

- (a) Do not connect, or disconnect the module in the “Power On” mode.
- (b) Power supply should always be turned on/off by following item 7.3 “ SUPPLY VOLTAGE SEQUENZE “. (see specification of your model)
- (c) Module has high frequency circuits. Sufficient suppression of electromagnetic interference shall be done by system manufacturers. Grounding and shielding methods may be important to minimize the interference.

9-5 OTHERS

- (a) Ultra-violet ray filter is necessary for outdoor operation.
- (b) Avoid condensation. It may result in improper operation or permanent damage.
- (c) Do not exceed the absolute maximum rating values (e.g. the supply voltage variation, input voltage variation, variation in part contents and environmental temperature and so on). Otherwise the module may be damaged.
- (d) If the module displays the same pattern continuously for a long period of time, image “sticking” can be seen on the screen. For proper operations avoid such conditions.
- (e) This module has its circuitry PCB’s on the rear side. Please handle carefully in order to avoid any kind of stress.